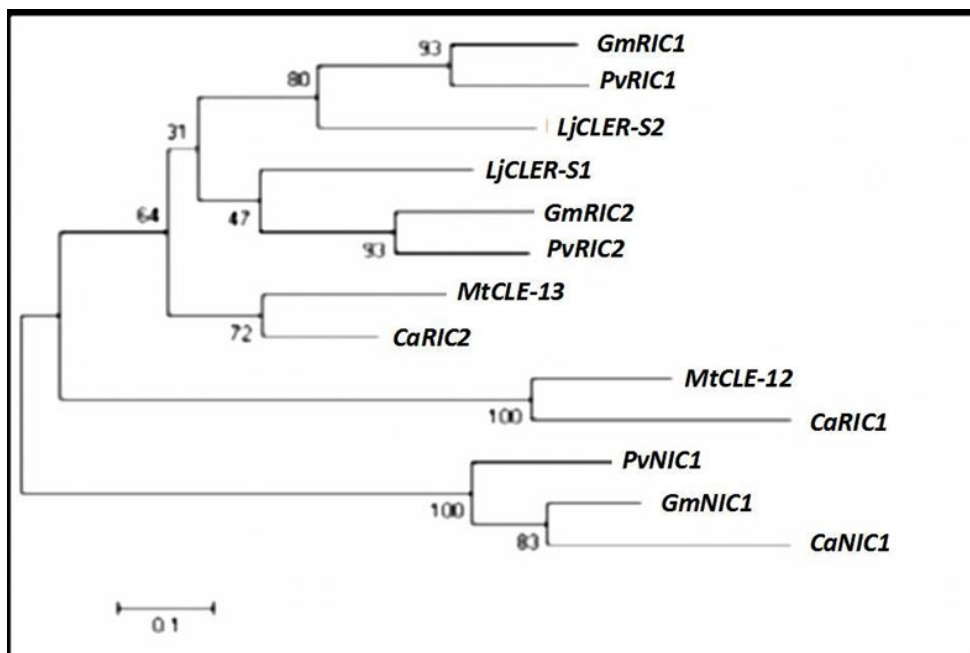


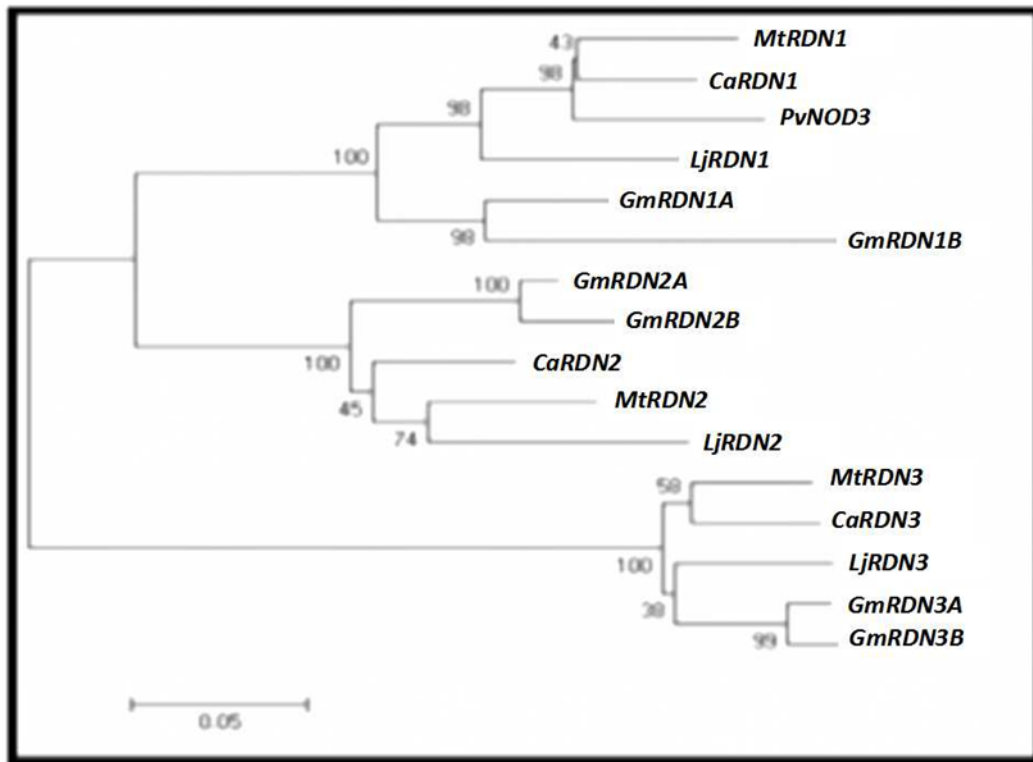
SUPPLEMENTARY DATA

Supplementary Table 1. The genes and accession numbers used in the study.

Genes	Accession Numbers	Genes	Accession Numbers
<i>CaNARK</i>	XP_004507478.1	<i>CaRIC1</i>	Ca_08947.1
<i>CaRIC2</i>	Ca_15466.1	<i>CaNIC1</i>	Ca_16412.1
<i>CaRDN1</i>	Ca_16652.1	<i>CaRDN2</i>	Ca_08825.2
<i>CaRDN3</i>	Ca_03948.1	<i>CamRNA172</i>	Ca_00883.1
<i>Ca-ENOD40</i>	Ca_09392.1	<i>CaNNC1</i>	Ca_01065.1
<i>CaNFR1</i>	19889.1	<i>CaNFR5</i>	13116.1
<i>MtCLE12</i>	Medtr4g079630	<i>MtCLE13</i>	Medtr4g079610
<i>GmNIC1</i>	Glyma.12g208900	<i>MtRDN1</i>	Medtr5g089520
<i>MtRDN2</i>	Medtr8g039290	<i>MtRDN3</i>	Medtr1g012920.1
<i>Mt_miRNA172</i>	Medtr2g093060.1	<i>Gm-miRNA172C</i>	Glyma.12g073300,
<i>PvmiRNA171</i>	Phvul.005g138300	<i>GmNNC1</i>	Glyma12g07800
<i>MtNNC1</i>	Medtr4g061200.2	<i>PvNNC1</i>	Phvul.011g071100.1
<i>At-miRNA172</i>	At4g36920.1	<i>GmNFR1</i>	Glyma.02g270800
<i>MtNFR1</i>	Medtr5g086090.1	<i>HAPT1</i>	At5g25265
<i>HAPT2</i>	At2g25260	<i>HAPT3</i>	At5g13500



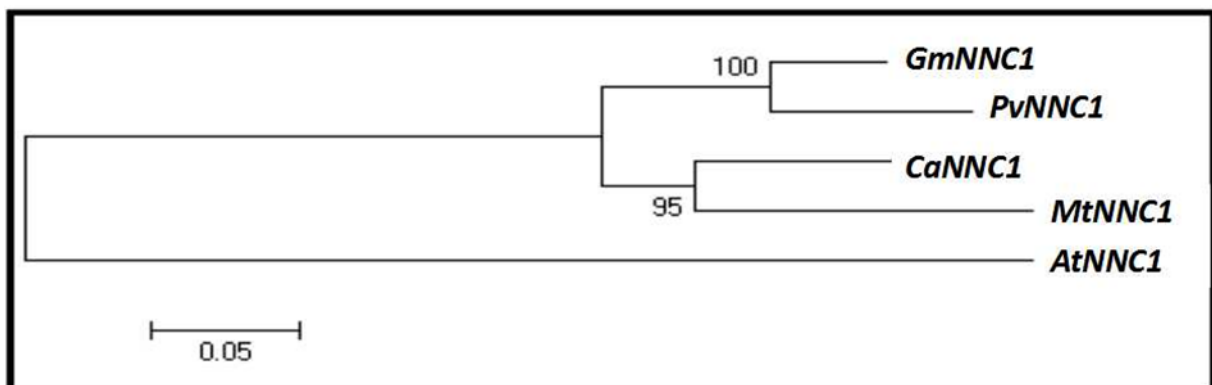
Supplementary Figure 1. The orthologs of *CaRIC1*, *CaRIC2* and *CaNIC1* in other legumes .



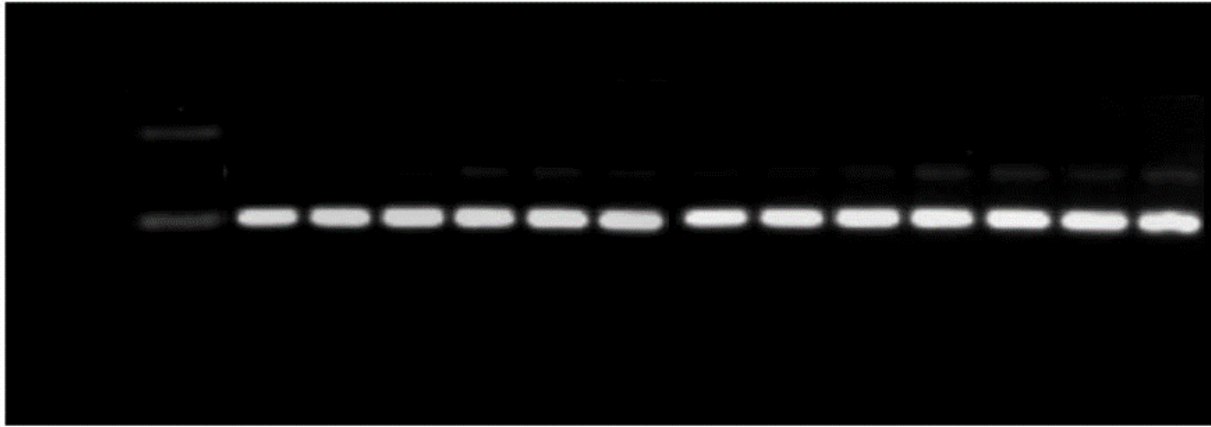
SupplementaryFigure 2. The orthologs of *CaRDN1*, *CaRDN2* and *CaRDN3* in other legumes.



Supplementary Figure 3. Schematic diagram of *Ca_miRNA172*. Pink color (38-57, 133-142, 427-441) shows the low complexity region and at the center (143-201 & 235-298) is the AP2 region.



Supplementary Figure 4. The orthologs of *CaNNC1* with other legumes.



Supplementary Figure 5. The cDNA of the 12 nodulation genes and the housekeeping gene, *CaEF1*. Molecular ladder = 50 bp.